

New RegO A3209A-50T Spring Assist Kit for Obsolete A3209A050 Internal Valves

RegO has added the above kit for use on their obsolete A3209A050 Internal Valves; it is intended to assist valve closing where the valves are left in the open position for extended periods of time. It will work with the A3209TL thermal latch assembly, or where the valve lever is connected to a remote open/close cable.

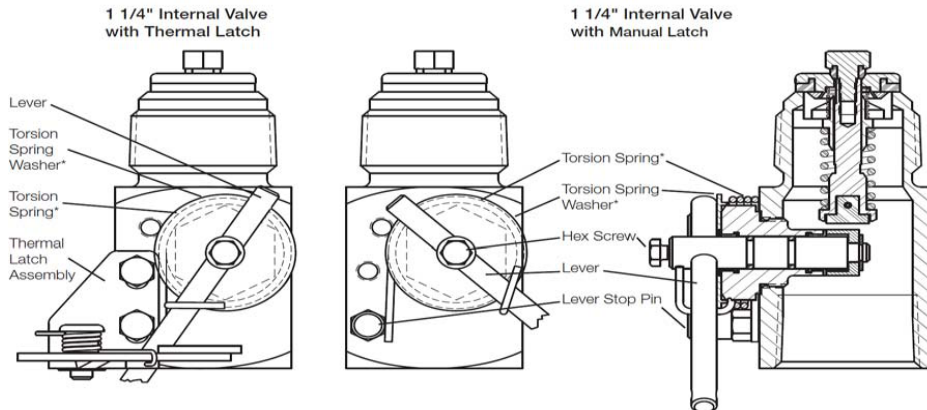


A3209A-50T Installed with A3209TL



A3209A-50T Installed with a remote cable

A3209A-50T Torsion Spring Kit for A3209A Series Obsolete 1 1/4" Internal Valves
Installation and Operation Manual



* These items form the A3209A-50T Kits
** Must be ordered separately from RegO®.