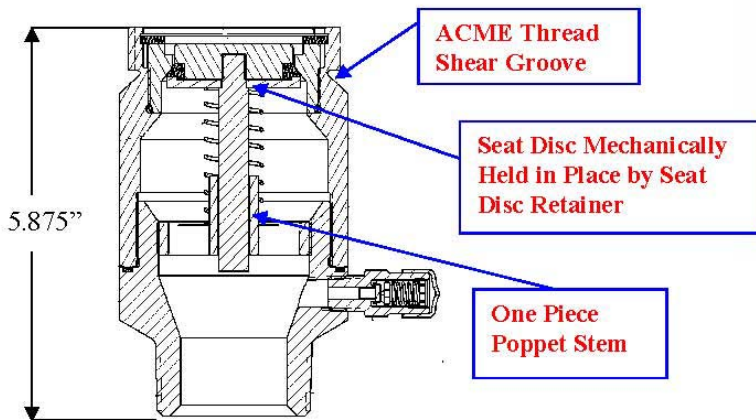


New RegO Low Emission ACME Connector 6588/6589 LE for Transport & Bobtails

- 3-1/4" Male Acme Connector with **reduced emissions, 90% less** than current ECII ACME adapters.
- 10.5 cubic centimeters of liquid discharged at disconnect
- UL Listed as a Filler Valve.
- Safety groove is designed to shear below ACME threads leaving the valve seat closed and unaffected if the vehicle pulls away with the hose connected.
- Seat disc is made of synthetic composition and is mechanically held in place by a seat disc retainer.
- Stainless Steel return spring.
- One- piece poppet stem for smooth operation.
- Will connect to any standard female 3-1/4" ACME adapter.
- Hydrostatic relief valve included (3125L).



Part Number	ACME Connection	Outlet Connection MNPT	Wrench Flats	Hydrostatic Relief Valve	Propane Capacity at Various Differential Pressures (GPM)		
					5 PSIG	10 PSIG	25 PSIG
6588LE	3-1/4"	2"	3"	3125L	138	223	349
6589LE	3-1/4"	3"	3-1/4"	3125L			