



**MaX-Quip**  
**Experts in our field.**

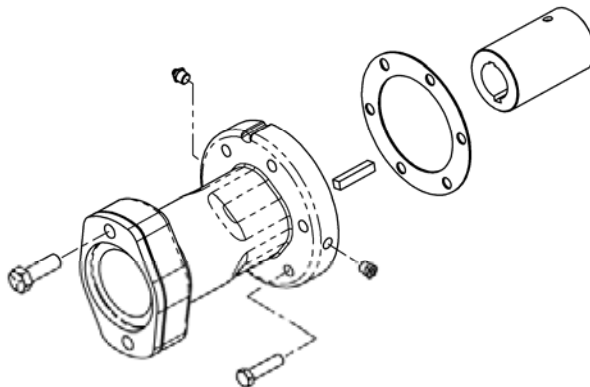
## **NEW Blackmer Hydraulic Adapter Kit for 2 Bolt SAE A flange with 1" Motor Shaft**



New Hydraulic Motor Adapter Kit #895143 for SAE A flange, 2-bolt hydraulic motors with 1" motor shafts. This new adapter kit is designed to fit on the following pump models:

- TXD3E and TXSD3E
- TXV3B
- CRL3
- LGL3E and LGLD3E

This new adapter kit uses a 1" x 1-1/8" coupling to allow the use of SAE A flange, 2-bolt hydraulic motors with 1" straight keyed shafts.



**BLA 895143**

### **Locations**

**Calgary**  
866-629-7847

**Edmonton**  
800-661-7770

**Montreal**  
877-629-7847

**Saskatoon**  
800-667-5886

**Surrey**  
877-574-3835

**Winnipeg**  
204-781-6574